
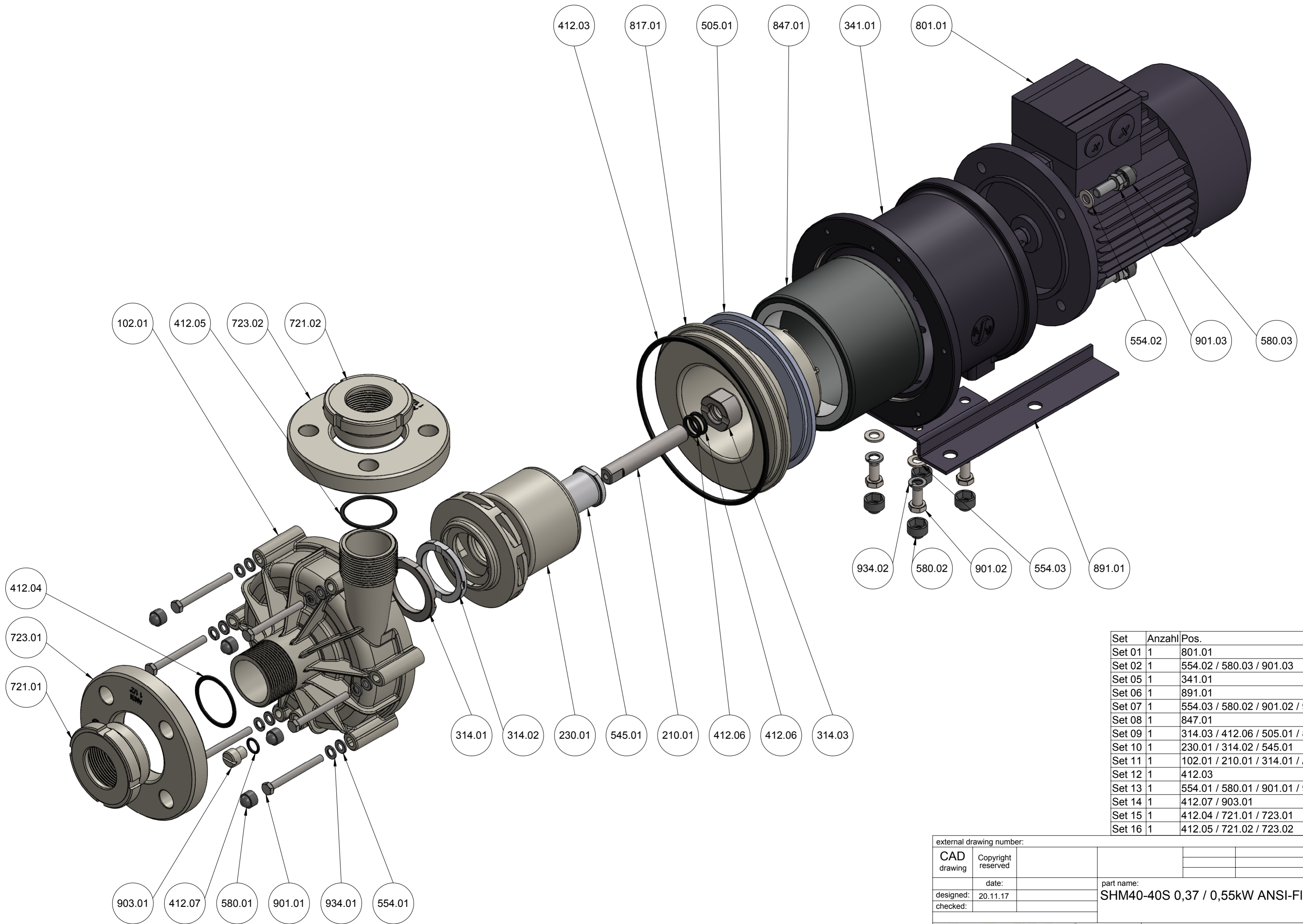


This is a drawing derivation of a 3D model. Changes must be carried out in the 3D model.

external drawing number:			
CAD drawing	Copyright reserved		
designed:	date: 20.11.17	part name: SHM40-40S 0,37 / 0,55kW ANSI-Flansch	
checked:			
 Stübbe Partner for Solutions		ASV Stübbe GmbH & Co.KG Postfach 1765 D-32591 Vlotho	ident no.: 165070 index: - format: A2 sheet: 1 2 sheets
deduced from:		filename: 165070_SHM40-40S 0,37-0,55kW ANSI-Flansch	



Set	Anzahl	Pos.
Set 01	1	801.01
Set 02	1	554.02 / 580.03 / 901.03
Set 05	1	341.01
Set 06	1	891.01
Set 07	1	554.03 / 580.02 / 901.02 / 934.02
Set 08	1	847.01
Set 09	1	314.03 / 412.06 / 505.01 / 817.01
Set 10	1	230.01 / 314.02 / 545.01
Set 11	1	102.01 / 210.01 / 314.01 // 412.07 / 903.01
Set 12	1	412.03
Set 13	1	554.01 / 580.01 / 901.01 / 934.01
Set 14	1	412.07 / 903.01
Set 15	1	412.04 / 721.01 / 723.01
Set 16	1	412.05 / 721.02 / 723.02

external drawing number:			
CAD drawing	Copyright reserved		
date:	20.11.17	part name: SHM40-40S 0,37 / 0,55kW ANSI-Flansch	
checked:			
Stübbe Partner for Solutions		ASV Stübbe GmbH & Co.KG Postfach 1765 D-32591 Vlotho	ident no.: 165070 index: - format: A2 sheet: 2 2 sheets
deduced from:		filename: 165070_SHM40-40S 0,37-0,55kW ANSI-Flansch	

This is a drawing derivation of a 3D model. Changes must be carried out in the 3D model.