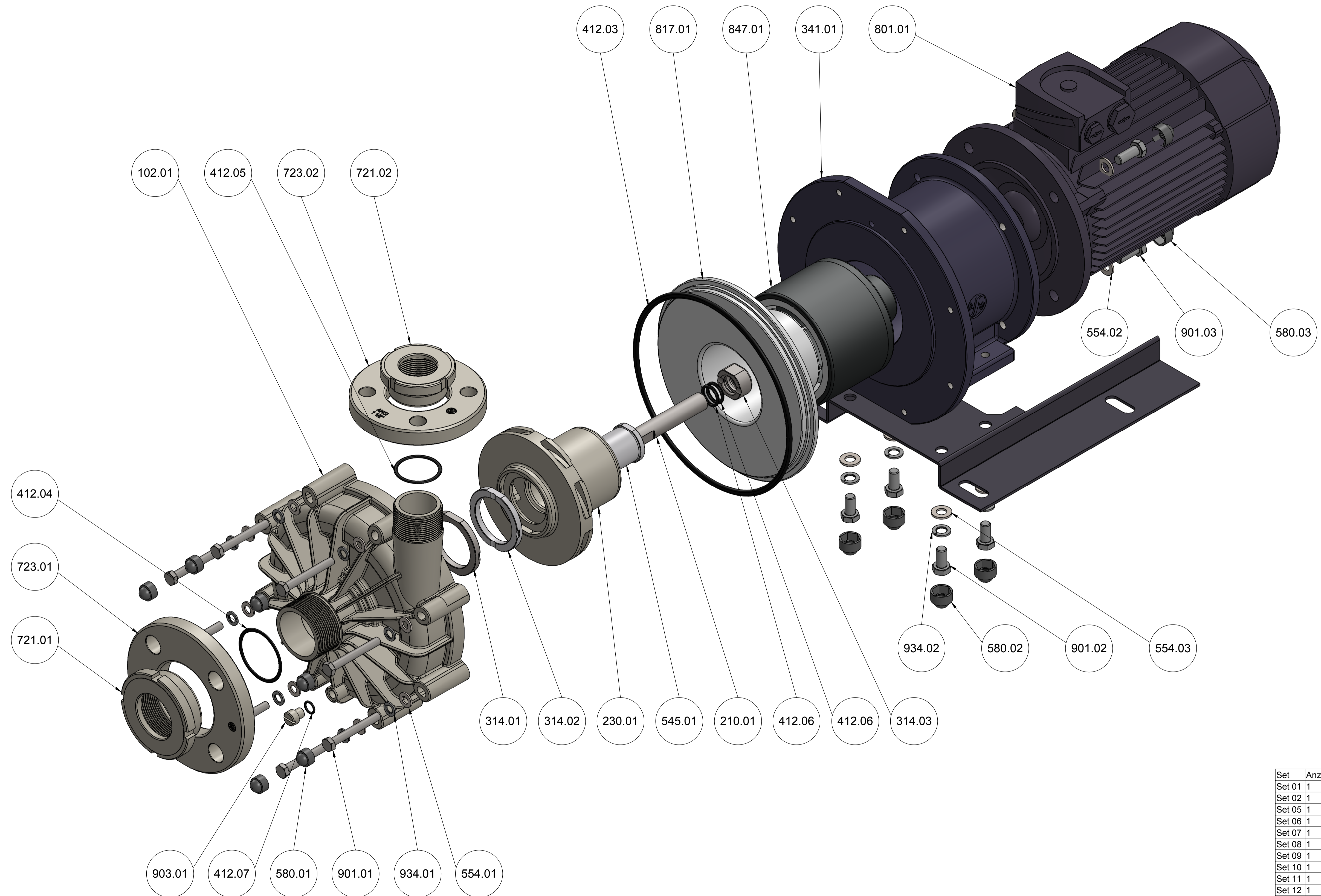


external drawing number:			
CAD drawing	Copyright reserved		
designed:	date: 14.12.17	name:	part name: SHM50-40S 1,5-2,2kW ANSI-Flansch
checked:			
<b>Stübbe</b> Partner for Solutions		ASV Stübbe GmbH & Co.KG Postfach 1755 D-32591 Vlotho	ident no.: <b>180725</b> index: - format: <b>A1</b> sheet: 1 2 sheets
deduced from:		filename: 180725_SHM50-40S 1,5-2,2kW ANSI-Flansch	

This is a drawing derivation of a 3D model. Changes must be carried out in the 3D model.



Set	Anzahl	Pos.
Set 01	1	801.01
Set 02	1	554.02 / 580.03 / 901.03
Set 05	1	341.01
Set 06	1	891.01
Set 07	1	554.03 / 580.02 / 901.02 / 934.02
Set 08	1	847.01
Set 09	1	314.03 / 412.06 / 817.01
Set 10	1	230.01 / 314.02 / 545.01
Set 11	1	102.01 / 210.01 / 314.01 // 412.07 / 903.01
Set 12	1	412.03
Set 13	1	554.01 / 580.01 / 901.01 / 934.01
Set 14	1	412.07 / 903.01
Set 15	1	412.04 / 721.01 / 723.01
Set 16	1	412.05 / 721.02 / 723.02

external drawing number:			
CAD drawing	Copyright reserved		
date:	14.12.17	part name:	SHM50-40S 1,5-2,2kW ANSI-Flansch
designed:		ident no.:	180725
checked:		index:	-
		format:	A1
		sheet:	2
		2 sheets	

This is a drawing derivation of a 3D model. Changes must be carried out in the 3D model.

deduced from: ASV Stübbe GmbH & Co. KG Postfach 1765 D-32591 Vlotho  
 deduced from: 180725\_SHM50-40S 1,5-2,2kW ANSI-Flansch